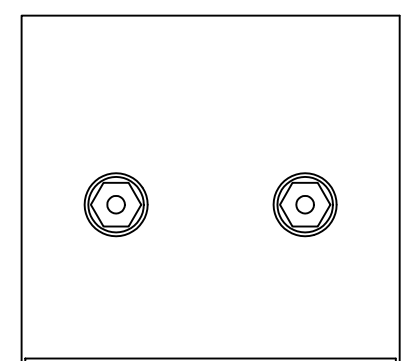
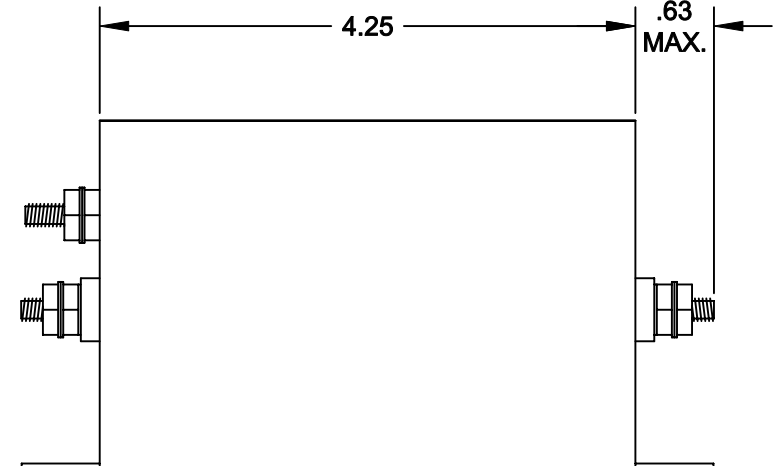
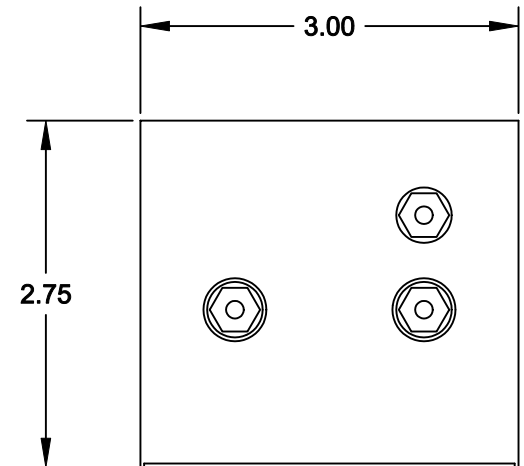
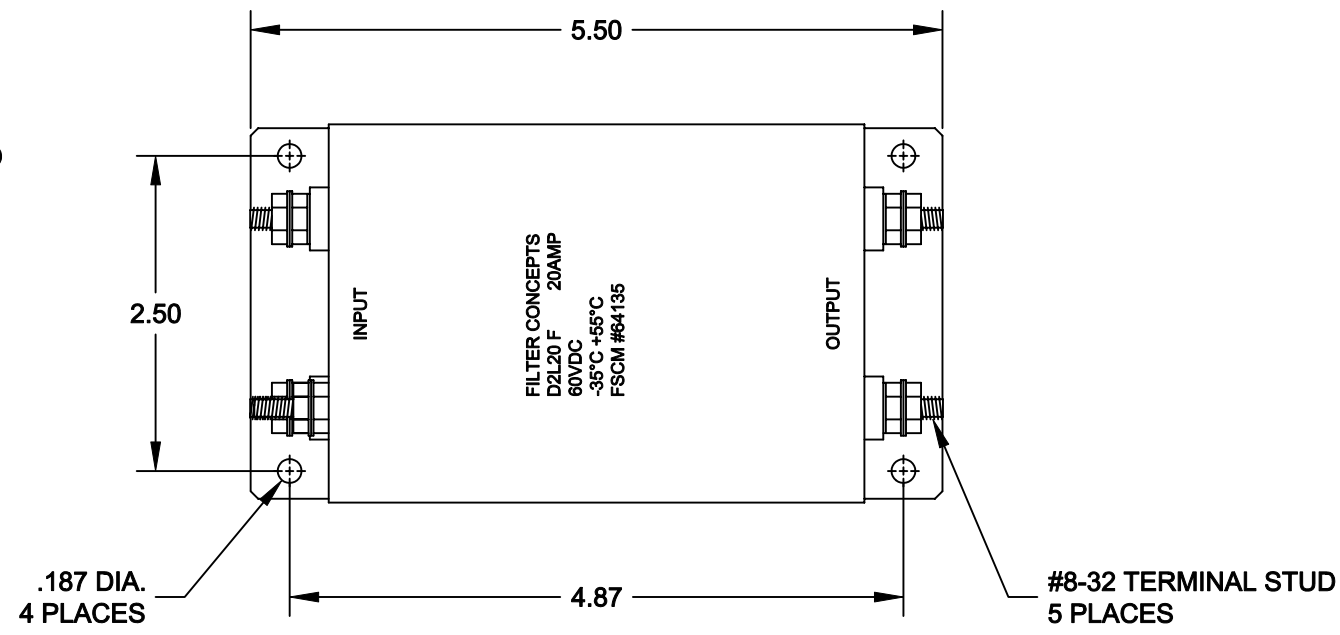


SPECIFICATIONS

1. CASE:
22 GA. (.030) CRS, TIN PLATED
2. RATED CURRENT:
20A
3. RATED VOLTAGE:
60VDC
4. TEST VOLTAGE:
LINE TO GROUND: 150VDC

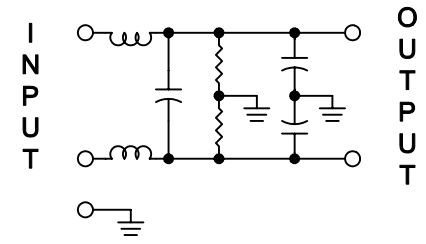
REVISION			
LTR	DESCRIPTION	DATE	APPROVED
A	INITIAL RELEASE	08-08-02	LE
B	REVISED MARKING	07-09-03	LE



INSERTION LOSS (50Ω TYPICAL)

	.02 MHz	.15 MHz	.50 MHz	1.5 MHz	5.0 MHz	50 MHz
L/L	35 db	55 db	65 db	65 db	65 db	60 db
L/G	30 db	50 db	60 db	60 db	60 db	50 db

SCHEMATIC



NEXT ASSY	USED ON
APPLICATION	

UNLESS OTHERWISE SPECIFIED DIMENSIONS ARE INCHES TOLERANCES ARE: FRACTIONS DECIMALS ANGLES ± .XX ±.030 ± .XXX ±.010	CONTRACT NO.	
	APPROVALS	DATE
MATERIAL	DRAWN	DATE
	CHECKED	DATE
FINISH		

FILTER CONCEPTS INC.		
APPLICATION DRAWING		
D2L20 F FILTER		
SIZE	CODE IDENT NO.	DRAWING NO.
B		7431
SCALE	2/3	SHEET 1 OF 1